

# SPK 18500

# KNUCKLE BOOM CRANE

IDEAL LIFTING SOLUTION FOR 3 AXLE TRUCKS



## TECHNICAL SPECIFICATION

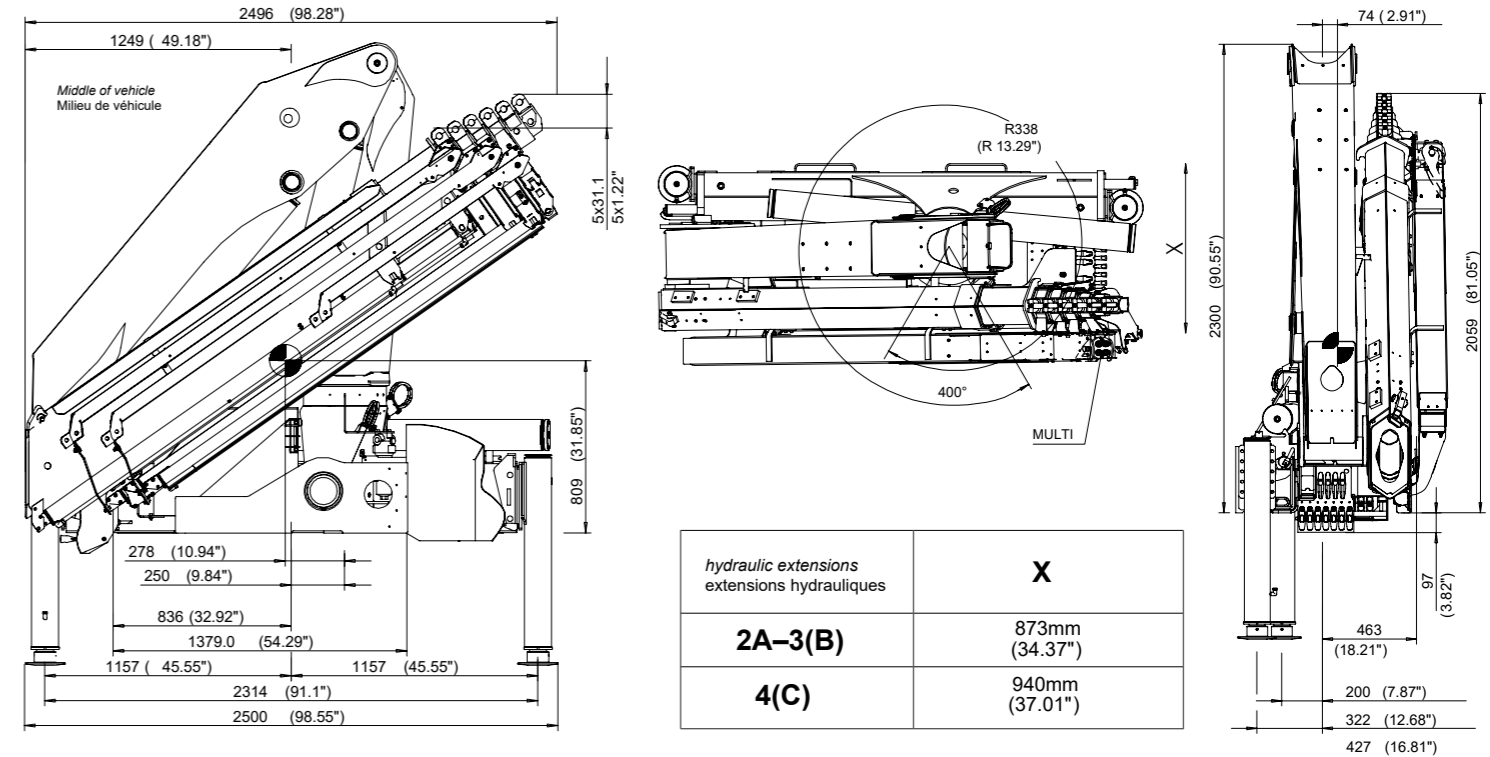
### Product Description

- Equipped with load holding valves for safe crane operations
- High speed boom extension and retraction with return oil utilization
- Optimized lifting performance with the use of high tensile steel and hexagonal boom design
- Lightweight yet robust construction according to European Standards (EN 12999)
- Professional installation solutions and technical supports
- Standard package includes
  - Oil tank mounted
  - Load holding valves
  - Painting
  - High pressure filter
  - Digital hour counter
  - Load hook
  - Crane preservation
  - Mounting bolts
  - Spare parts catalogue
  - Crating

### Technical Data

Basic Data	SPK 18500
Max. lifting moment [mt]	18.3
Max. lifting capacity [kg]	8000
Max. hydraulic outreach [m]	14.6
Max. hydraulic outreach lifting capacity [kg]	940
Max. number of extension boom	5 (D)
Slewing angle [°]	400
Slewing moment [mt]	2.3
Max. stabilizer spread [mm]	6616
Std. stabilizer spread [mm]	5640
Fitting space required [mm]	873
Width folded [mm]	2496
Max. operating pressure [bar]	300
Recommended pump capacity [l/min]	45 - 65
Dead weight standard crane [kg]	2117

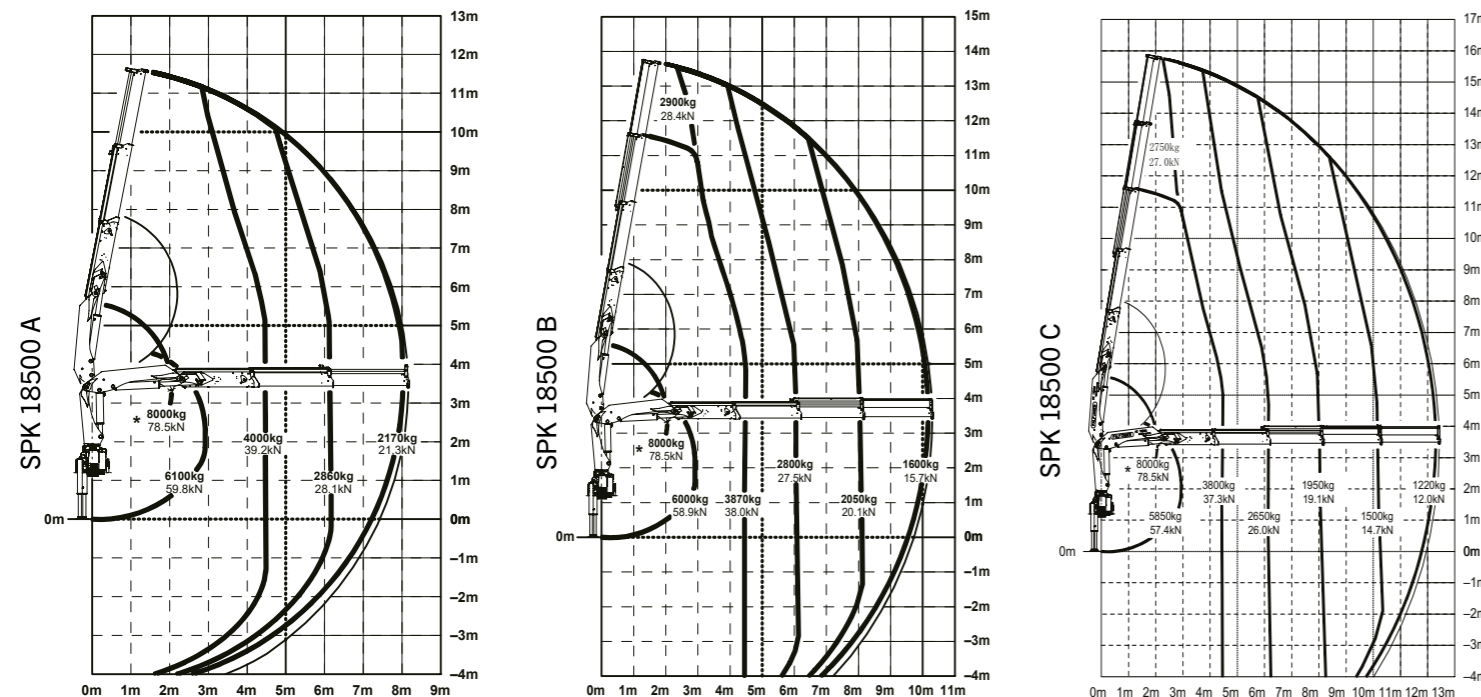
## CRANE DIMENSION



Subject to change, production tolerances have to be taken into account.

## FEATURES AND OPTIONS

## LIFTING CHART



**Ergonomic Crane Control**

- Ergonomically arranged operating levers for all crane functions
- Functional design for better comfort during crane operation
- Straightforward service and maintenance



**High Density Paint**

- Top quality surface paint with corrosion protection
- Long term UV-resistant coating
- Aesthetically pleasing and attractive colour



**Load Holding Valve**

- Holds the cylinder in position
- Standard fittings on all cylinder
- Strategic positioned to protect from damage



**High speed extension**

- Increase extension and retraction speed of the boom system
- Crane works faster with return oil utilization
- Time saving during crane operation



**Radio Remote Control**

- Efficient control of the crane remotely
- Safe crane operation outside of the danger zone
- Easy maintenance and quick troubleshooting



**Top Seat**

- Excellent visibility of the surrounding area
- Foldable sun protection umbrella for hot weather
- Seat cover to prevent exposure from sun



**Hydraulic Overload Safety Device**

- Prevents the crane from overloading
- Overload protection system with emergency cut-off function
- Stops all movements of the crane that increases load



**Hose Equipment for Attachments**

- Additional hydraulic functions for attachments
- Simple installation with hose tray protection
- Diverse applications suitable for different industry

PALFINGER ASIA PACIFIC PTE LTD  
3 International Business Park  
Nordic European Center | #05-25/26  
609927 | Singapore  
T: +65 6591 9191  
asia@palfinger.com

Cranes shown in the leaflet are partially optional equipped and do not always correspond to the standard version. Country-specific regulations must be observed. Dimensions may vary. Subject to technical changes, errors and translation mistakes.